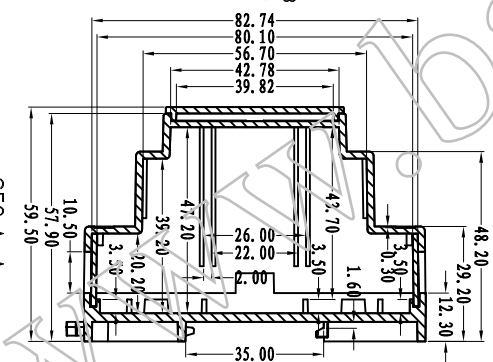
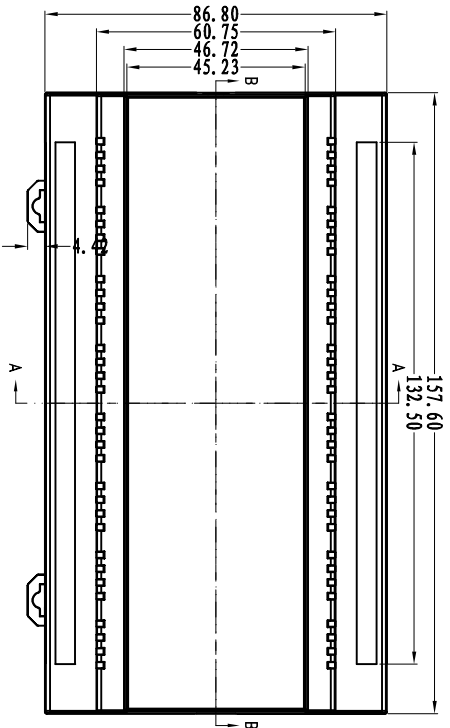
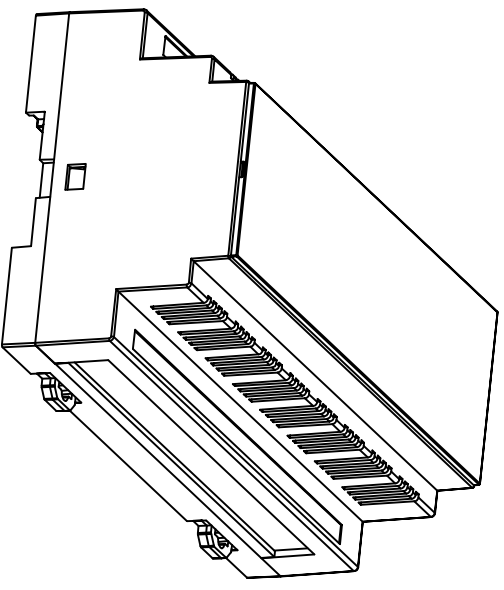
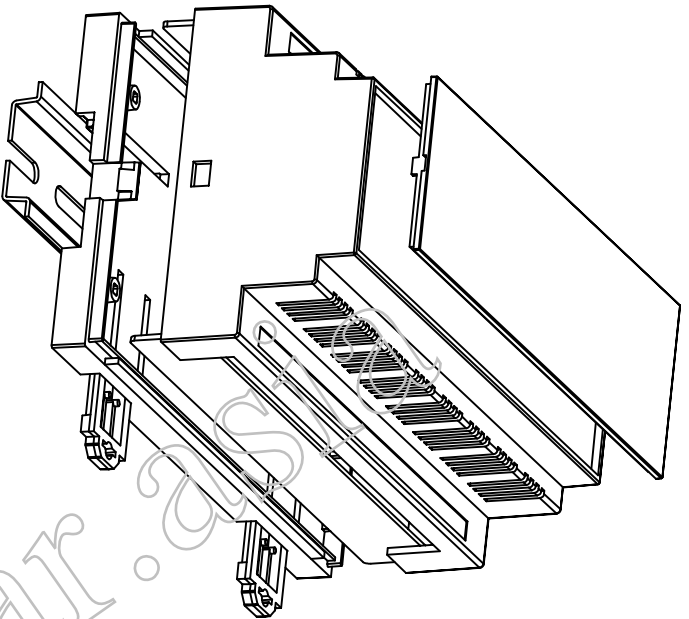
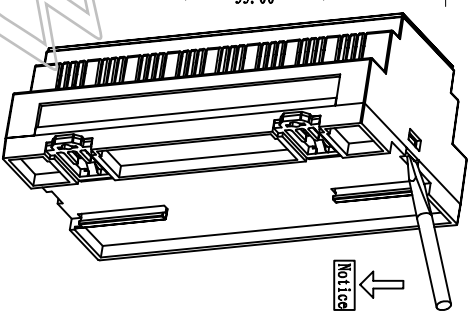


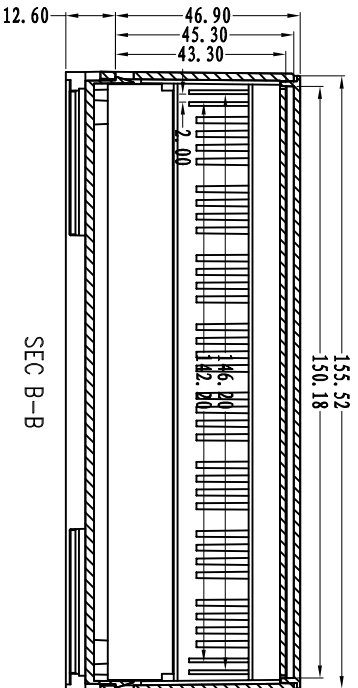
# BRT 80005-B1



SEC A-A



Notice



SEC B-B

